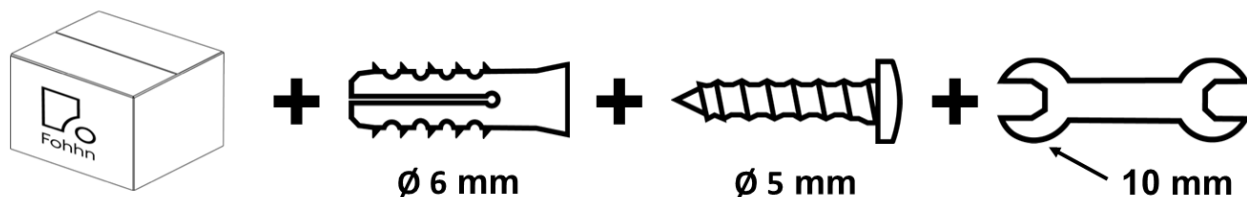


# User manual WS-5 (8470-XXXXX)

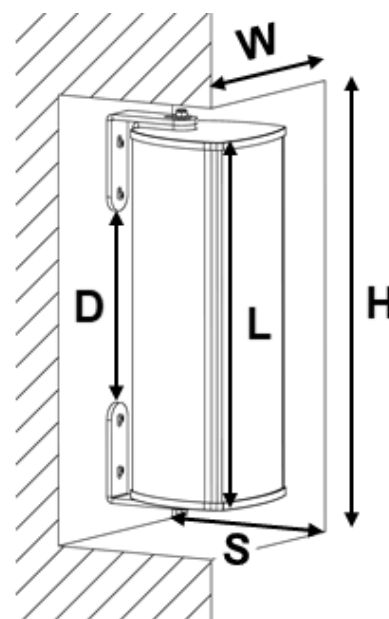


## Safety Instructions

- ⚠ Only use suitable dowels and screws for your type of wall.
- ⚠ Make sure the wall can carry the weight of the system.



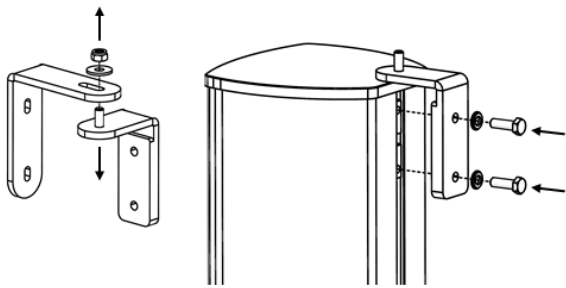
	H <sub>min</sub> [mm]	W <sub>min</sub> [mm]	S <sub>min</sub> [mm]	D [mm]
Scale-1	450	210	170	190
Scale-2	750	210	170	500
LXP-60 / LC/LEN-60 (b)	730	210	170	475
LXP-100 / LC/LEN-100 (b)	1080	210	170	825
LXP-150 / LC/LEN-150 (b)	1550	210	170	1295
LXP-220 / LC/LEN-220 (b)	2290	210	170	2035
DLI-130 (b)	1440	210	170	1195
DLI-230 (b)	2390	210	170	2145
DLI-330 (b)	3460	210	170	3210
DLI-430 (b)	4400	210	170	4150
FS-70	790	140	140	535
FS-110	1190	140	140	935
FS-150	1590	140	140	1335
FS-200	2090	140	140	1835
LS-2	750	210	170	490
LS-4	1310	210	170	1053



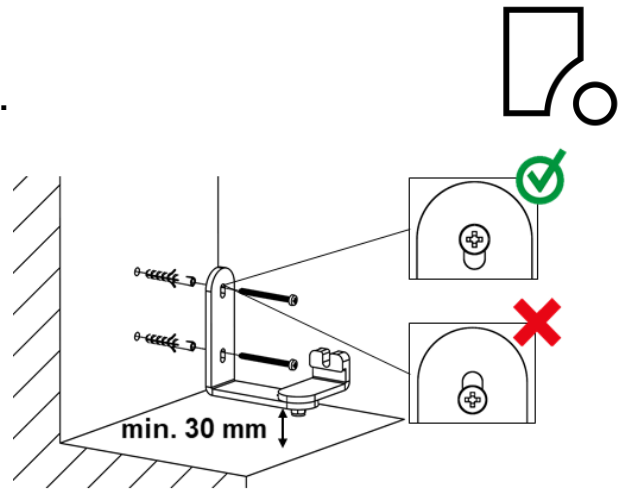
$$D = L - 165 \text{ mm}$$

$$H_{\text{min}} = L + 90 \text{ mm}$$

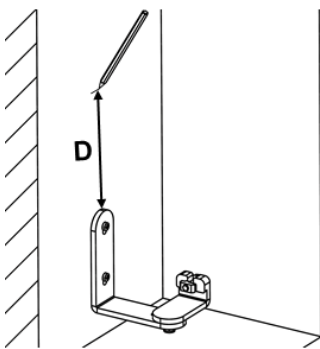
1.



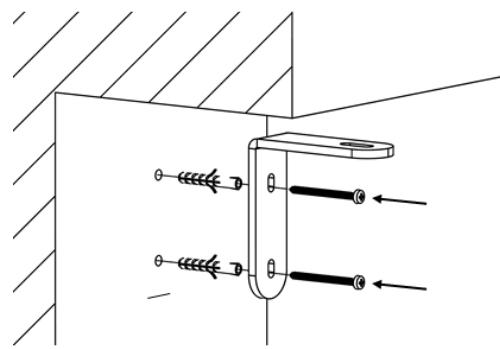
2.



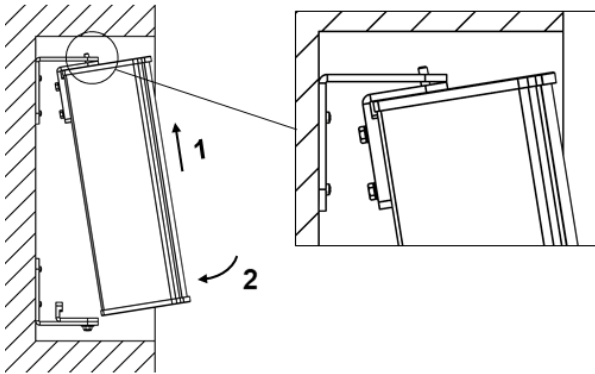
3.



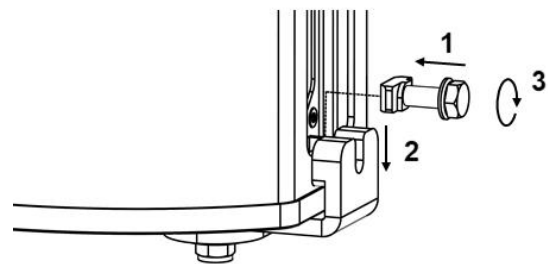
4.



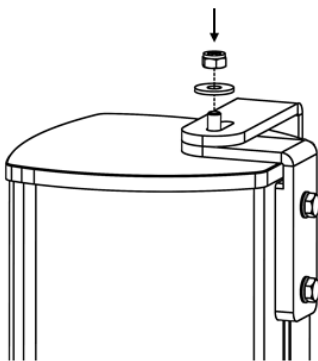
5.



6.



7.



8.

