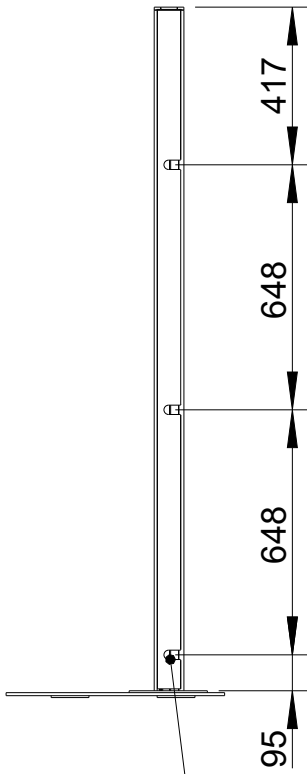


Fohhn

2D Zeichnungen

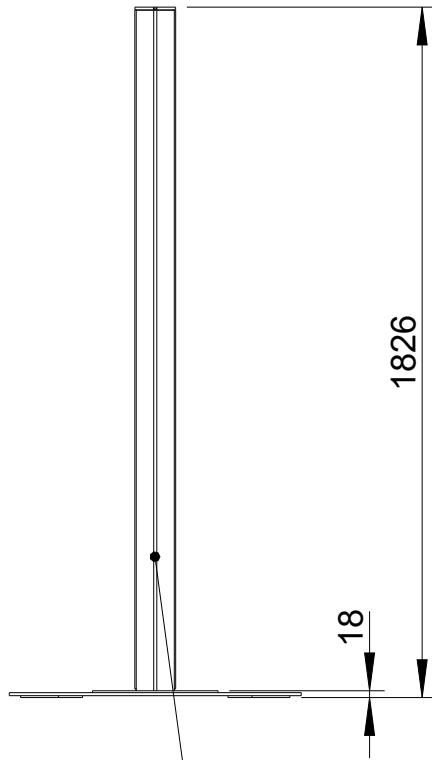
# Free Stand 180

Seitenansicht rechts/  
Side view right



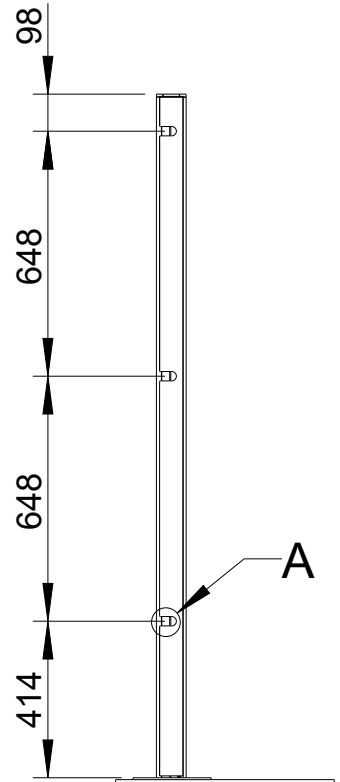
Kabeldurchlass aufklappbar/  
Hinged cable inlet

Vorderansicht/  
Front view

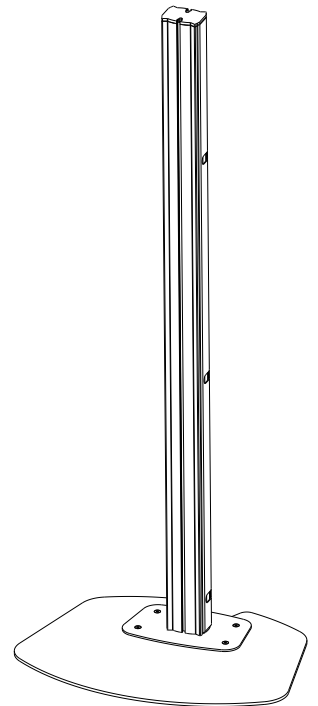
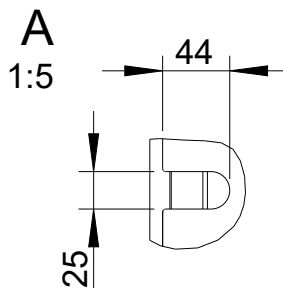
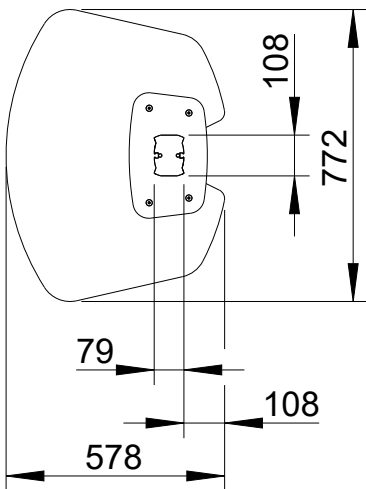


T-Nut für Nutensteine M5/  
T-slot for slot nuts M5

Seitenansicht links/  
Side view left

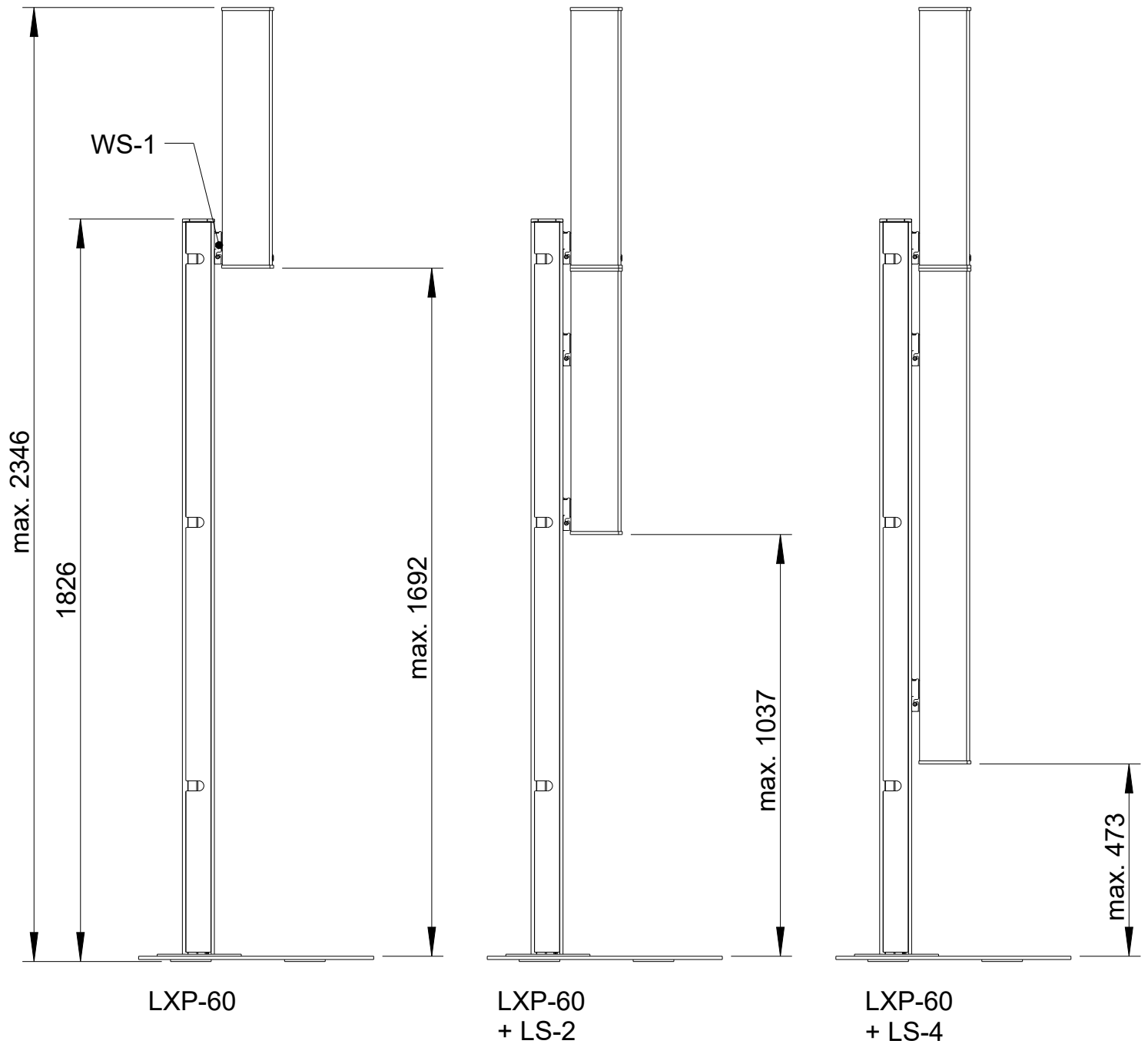


Draufsicht/  
Top view



All data and dimensions are subject to change

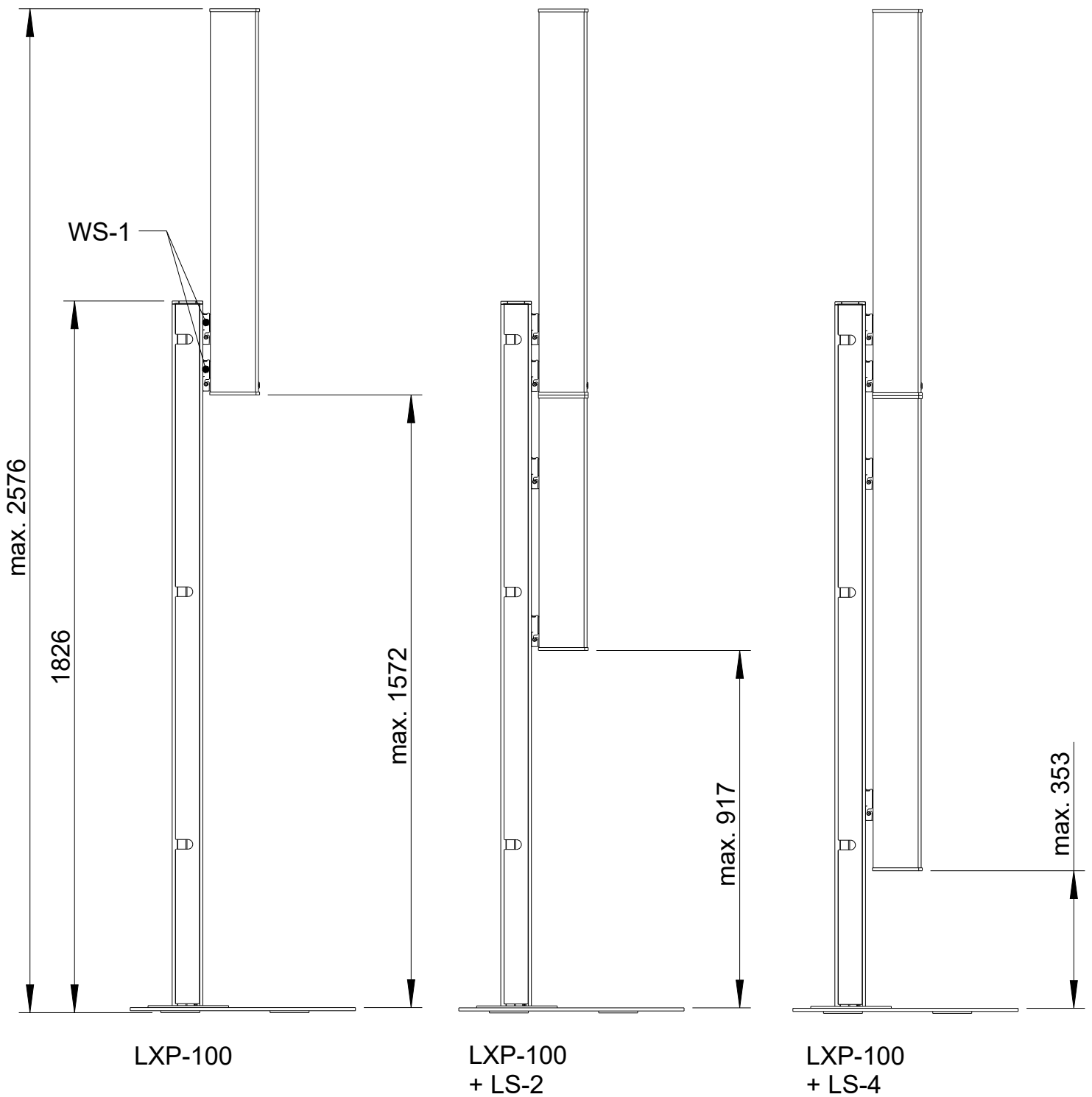
Free Stand 180  
8239-xxxxx



WS-1 not included

All data and dimensions are subject to change

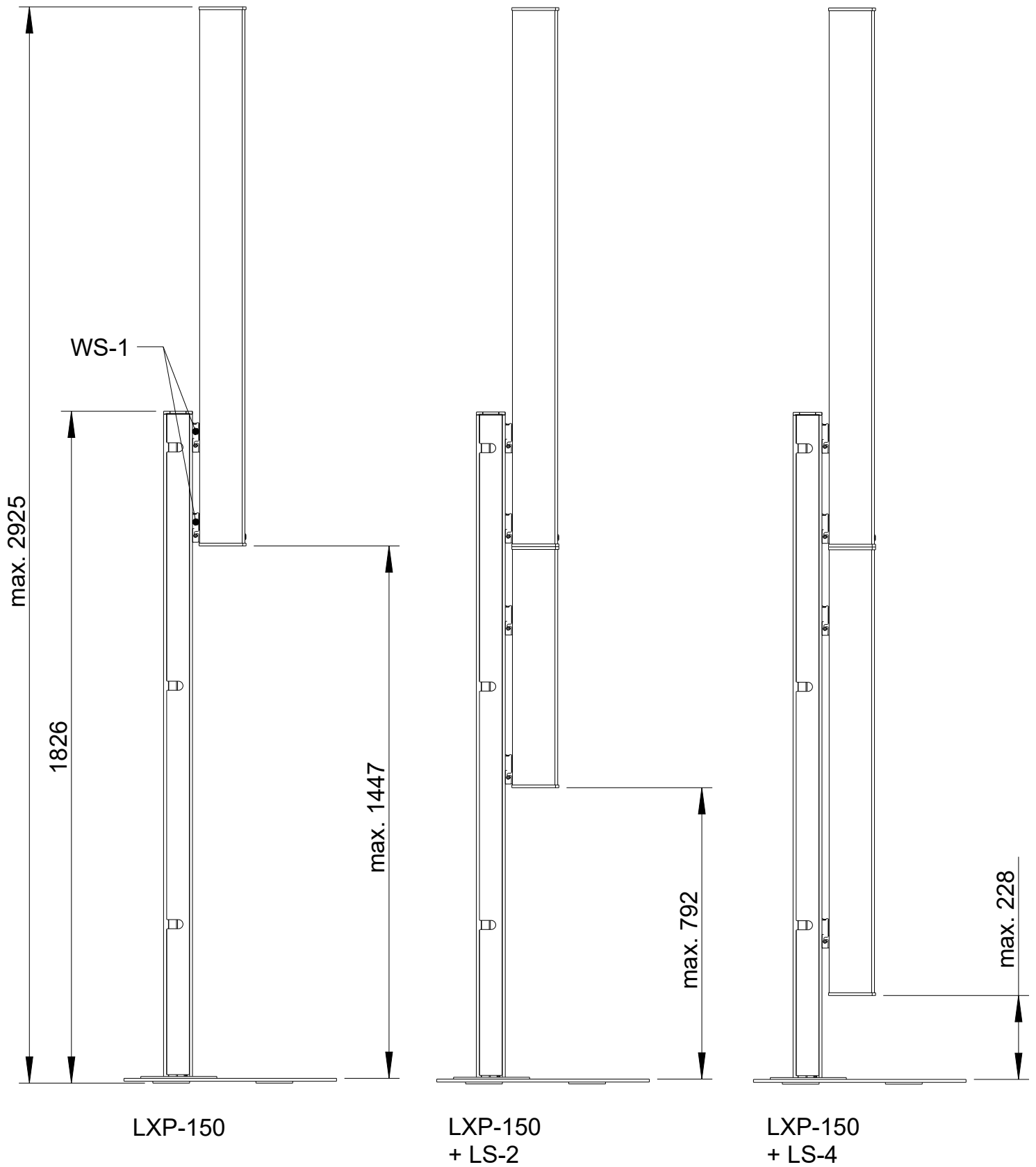
**Free Stand 180**  
8239-A0000 / 8239-B0000



WS-1 not included

All data and dimensions are subject to change

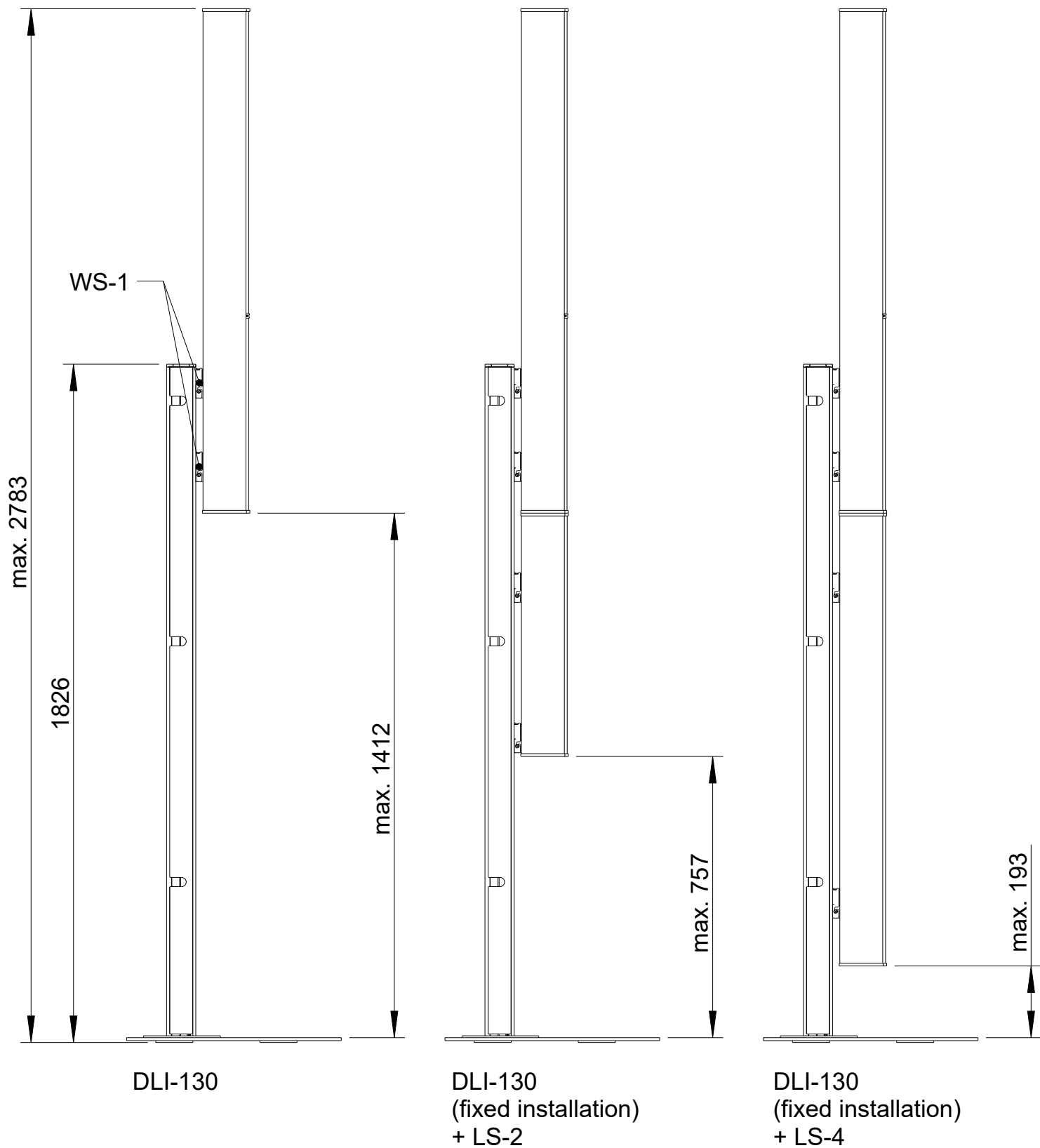
**Free Stand 180**  
**8239-A0000 / 8239-B0000**



WS-1 not included

All data and dimensions are subject to change

**Free Stand 180**  
8239-A0000 / 8239-B0000

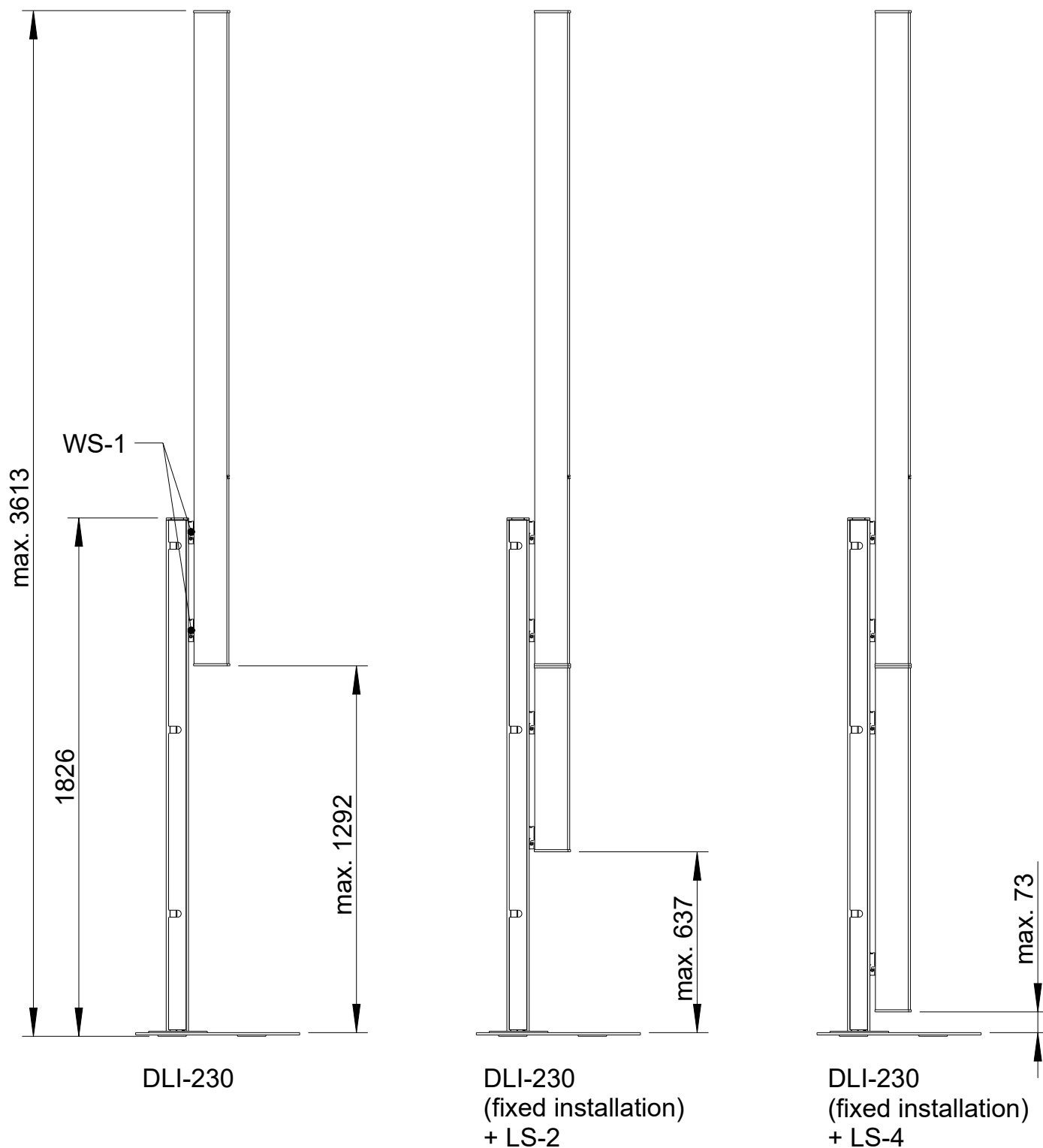


WS-1 not included

All data and dimensions are subject to change

**Free Stand 180**  
8239-A0000 / 8239-B0000

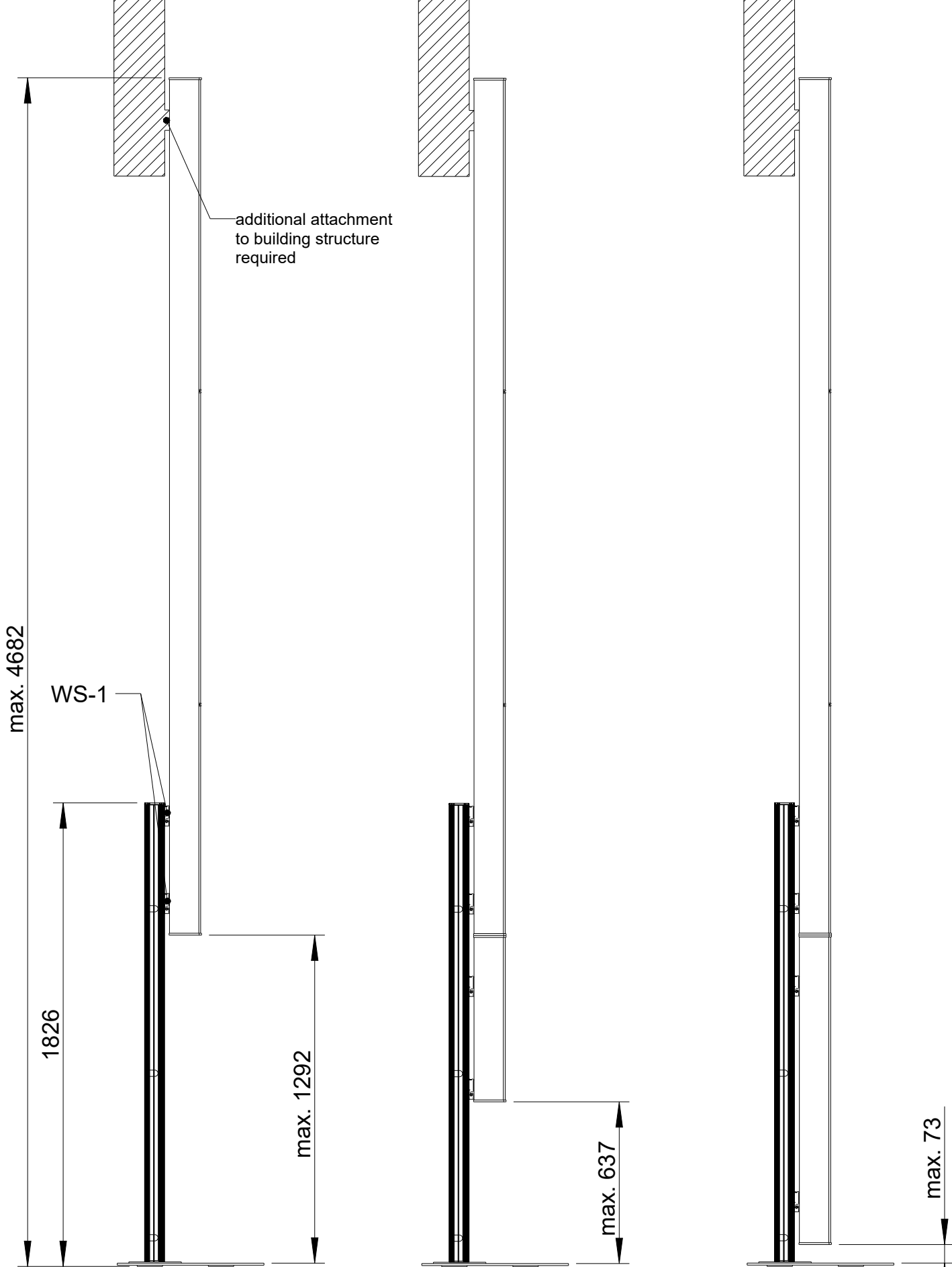
When using Free Stand 180 with DLI-230:  
Check if further attachment points are necessary  
to prevent Free Stand 180 from tipping over!



WS-1 not included

All data and dimensions are subject to change

**Free Stand 180**  
8239-A0000 / 8239-B0000



additional attachment  
to building structure  
required

WS-1

max. 4682

1826

max. 1292

max. 637

max. 73

DLI-330

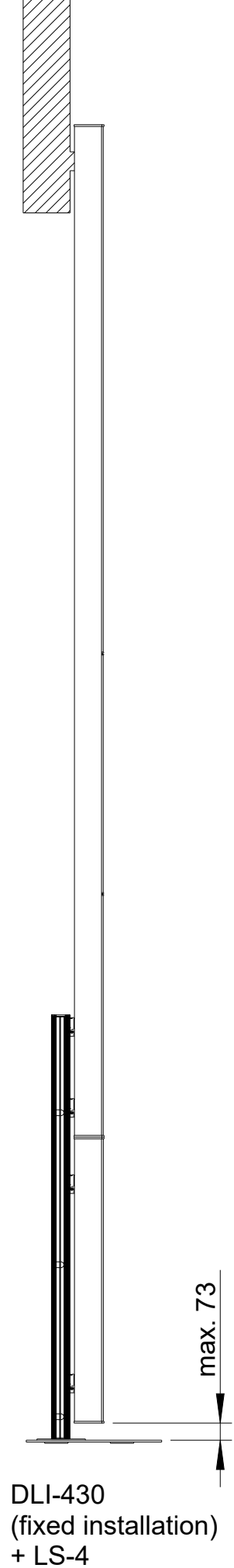
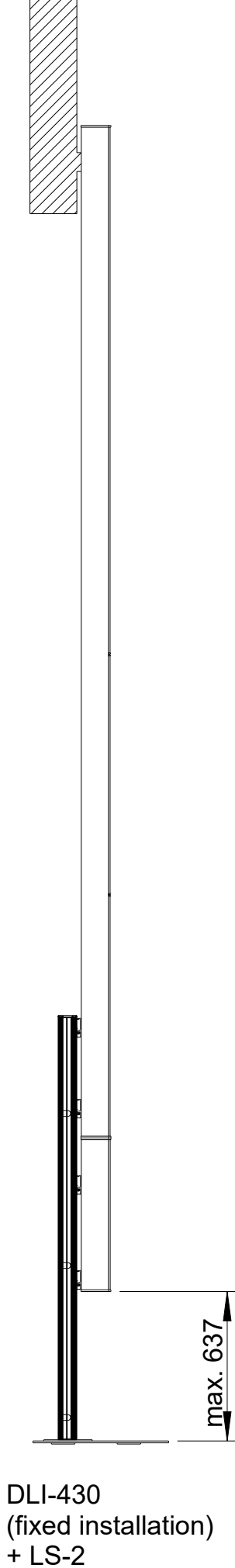
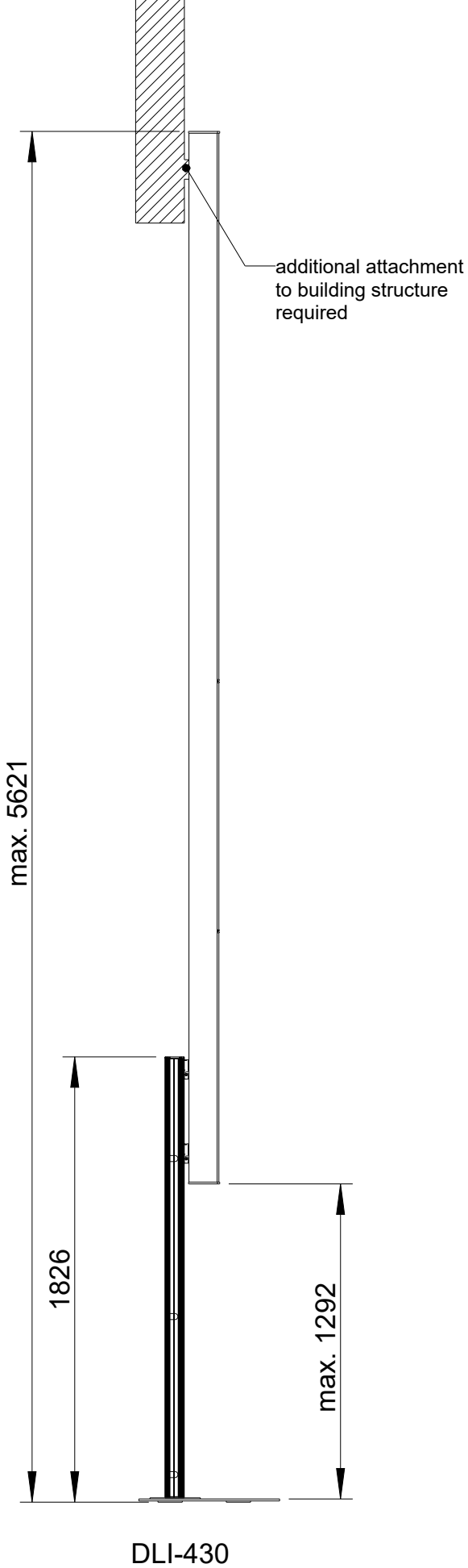
DLI-330  
(fixed installation)  
+ LS-2

DLI-330  
(fixed installation)  
+ LS-4

WS-1 not included  
All data and dimensions are subject to change

**Free Stand 180**  
8239-A0000 / 8239-B0000





WS-1 not included

All data and dimensions are subject to change

**Free Stand 180**  
8239-A0000 / 8239-B0000

207 product id is not valid