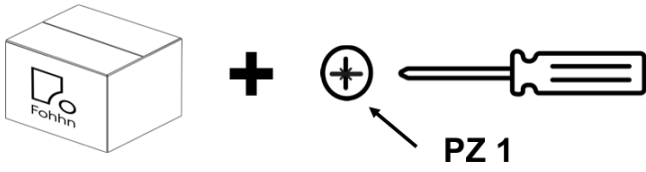


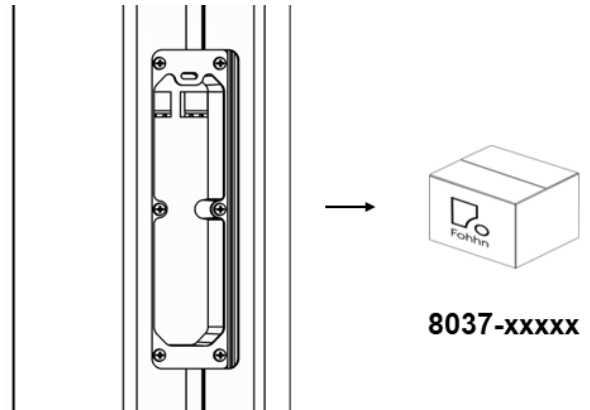
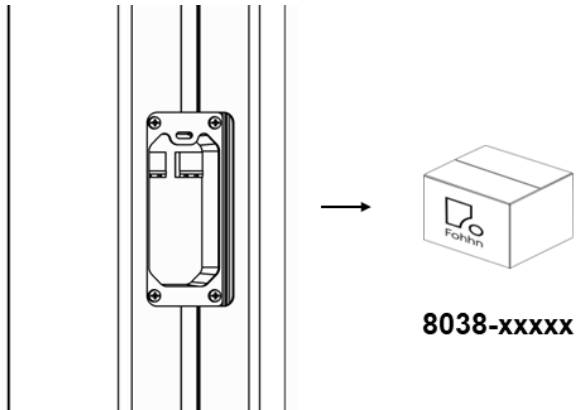
User manual

CG-S (8038-xxxxx)

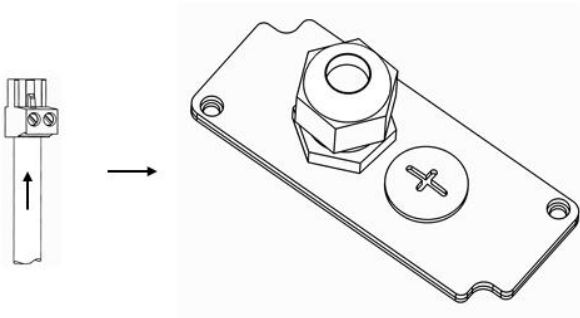
CG-L (8037-xxxxx)



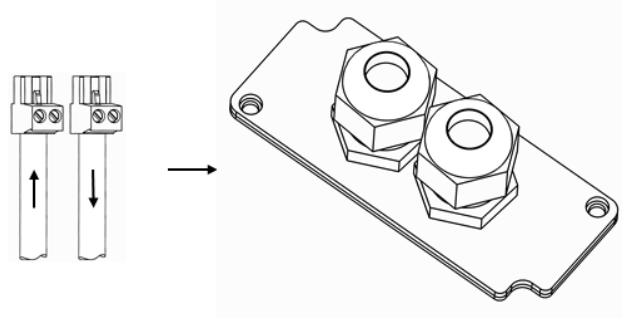
1.



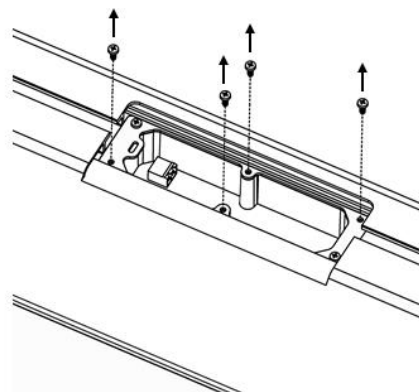
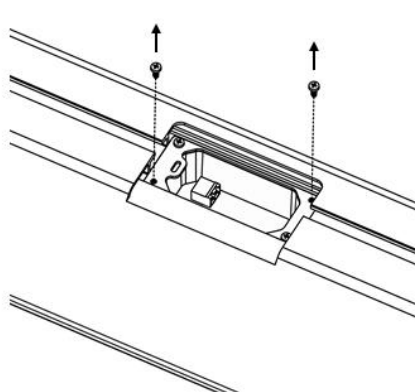
2a.



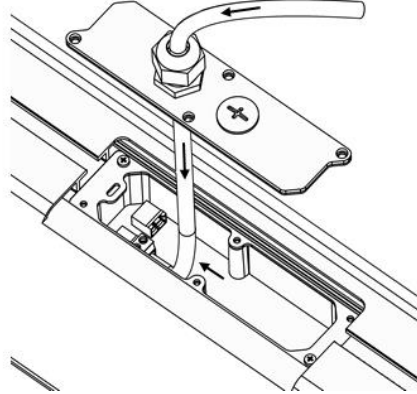
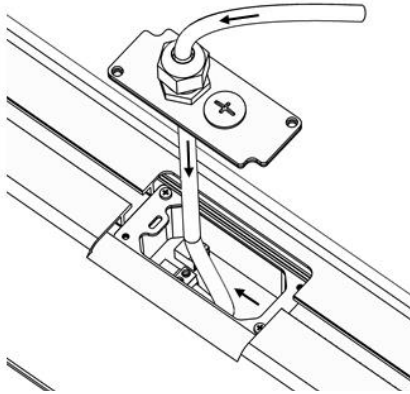
2b.



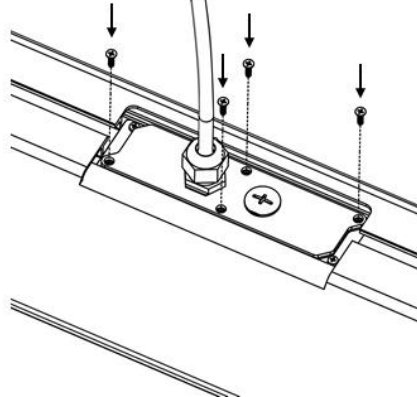
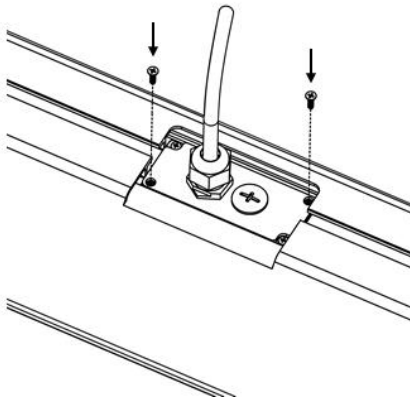
3.



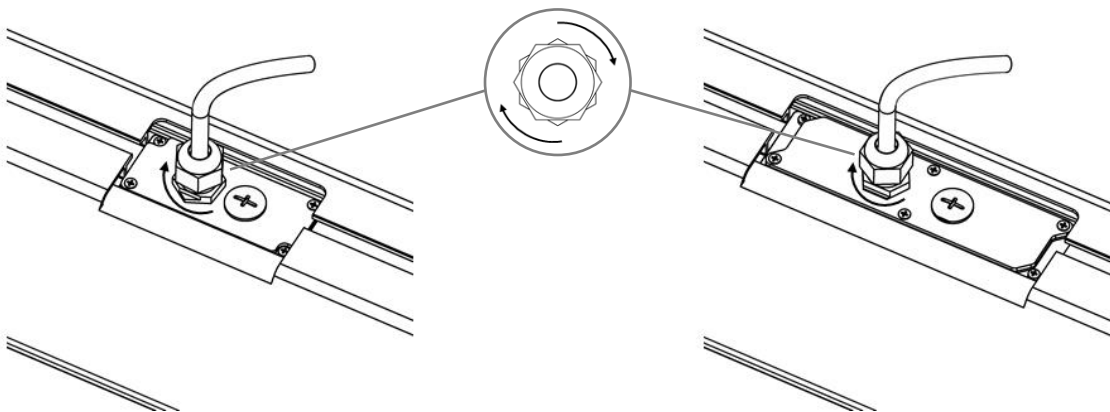
4.



5.



6.



Information

