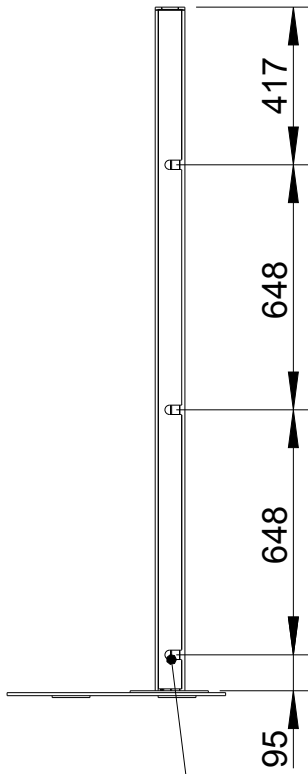


Fohhn

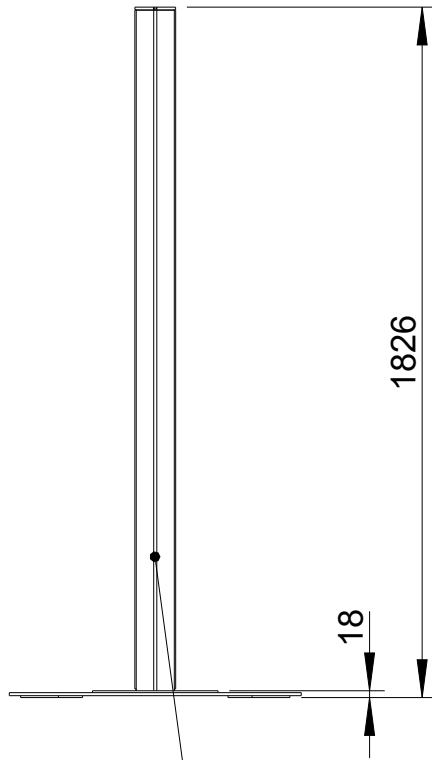
# Free Stand 180

Seitenansicht rechts/  
Side view right



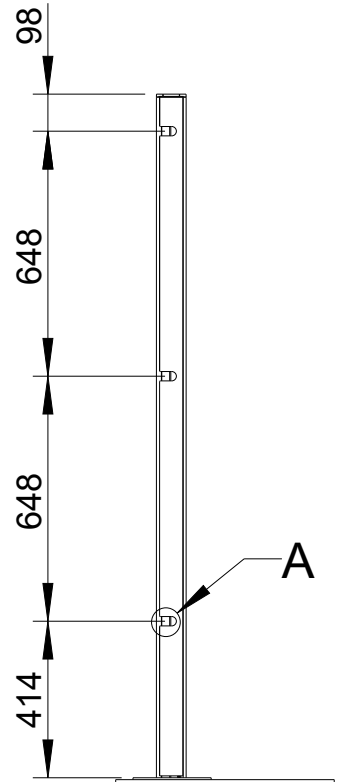
Kabeldurchlass aufklappbar/  
Hinged cable inlet

Vorderansicht/  
Front view

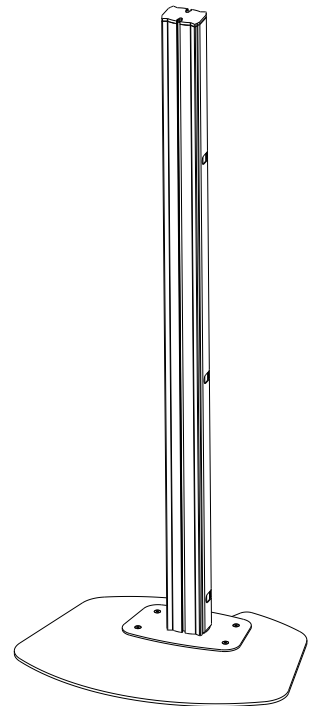
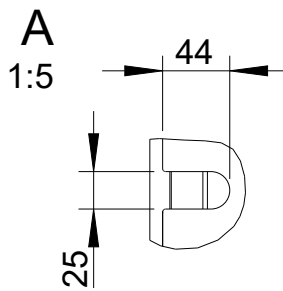
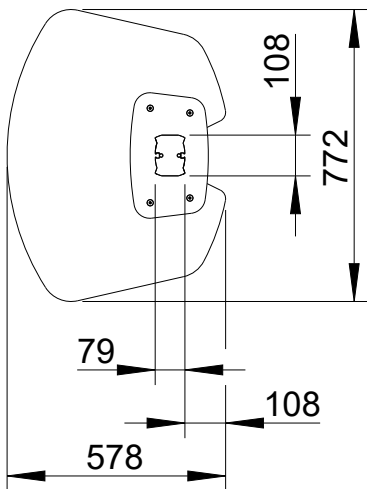


T-Nut für Nutensteine M5/  
T-slot for slot nuts M5

Seitenansicht links/  
Side view left

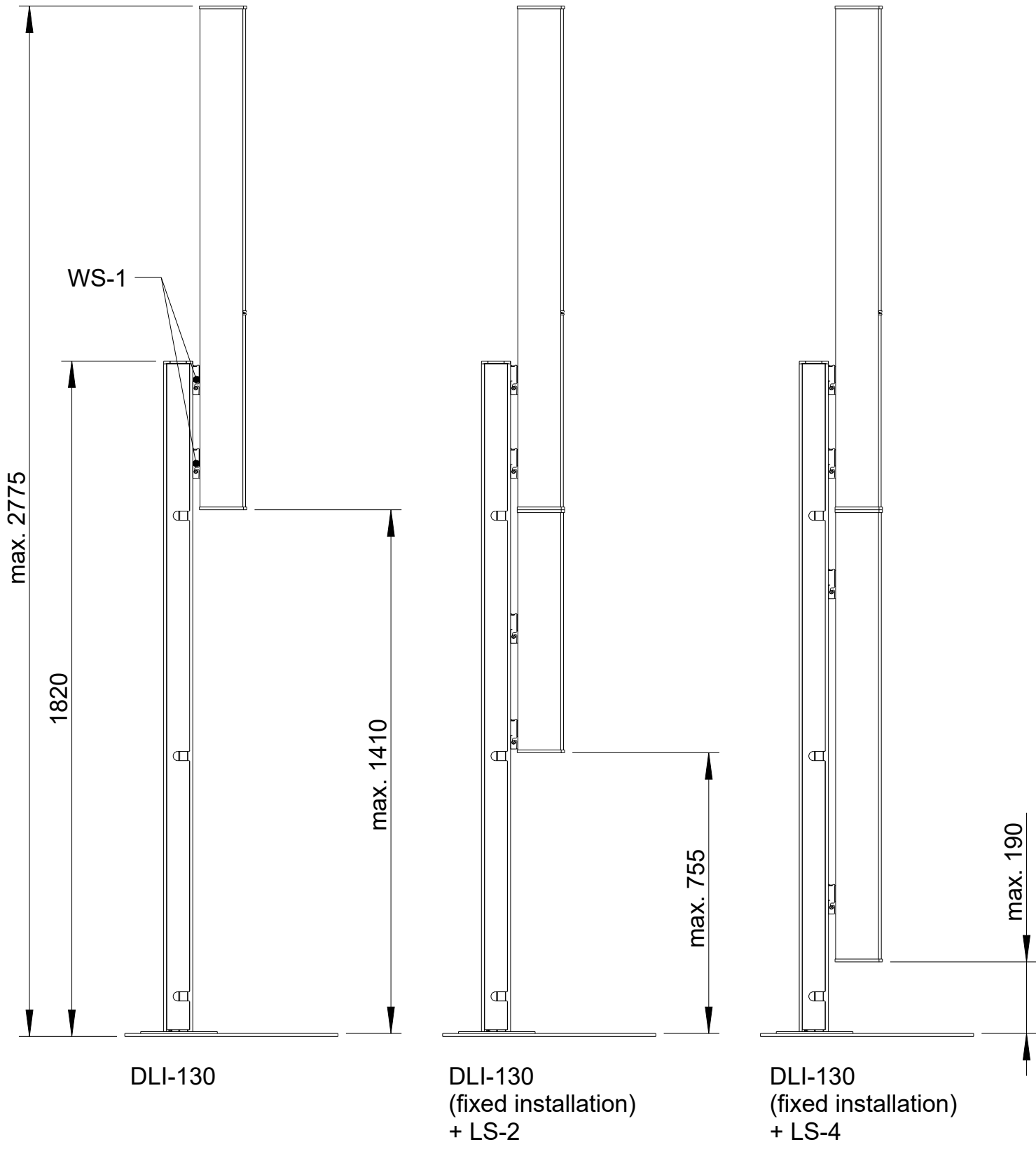


Draufsicht/  
Top view



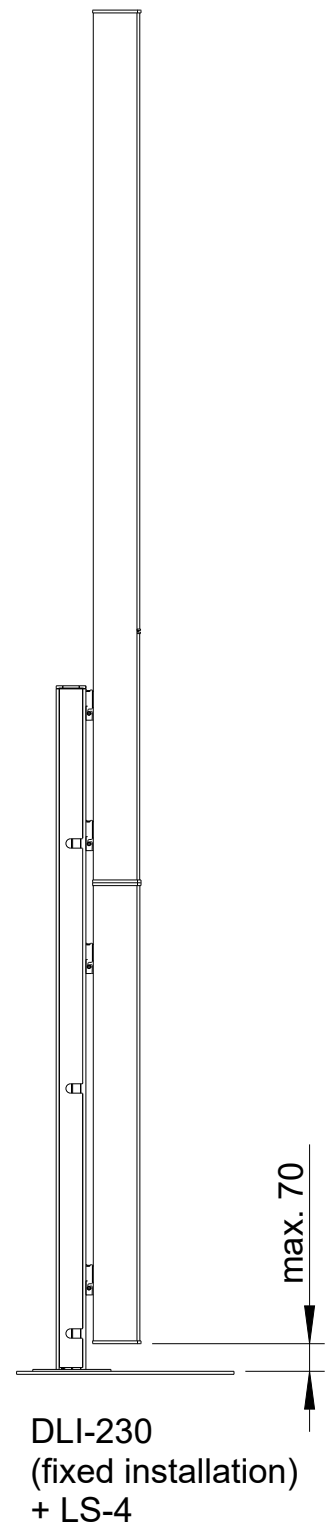
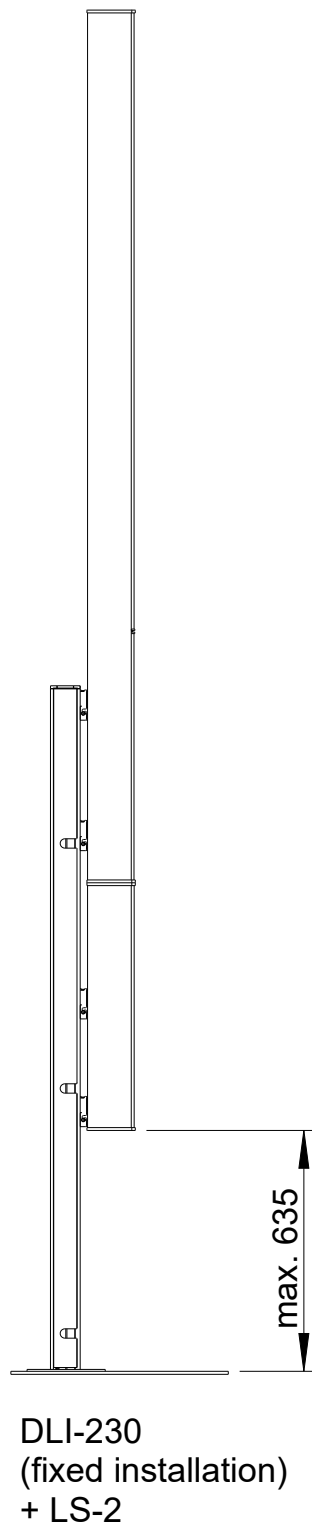
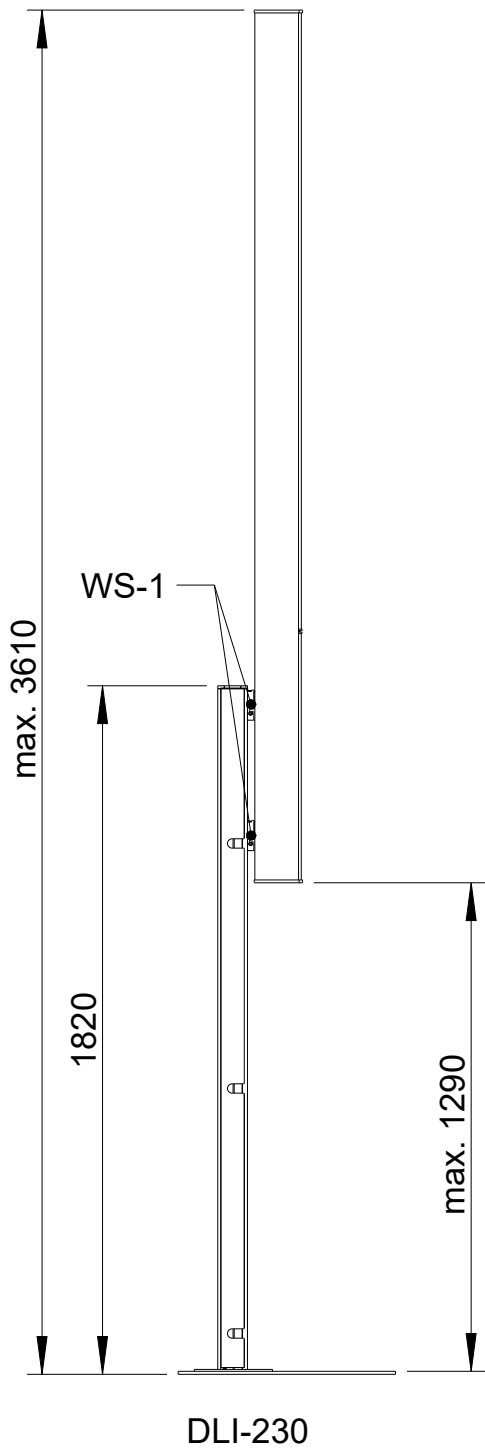
All data and dimensions are subject to change

Free Stand 180  
8239-xxxxx



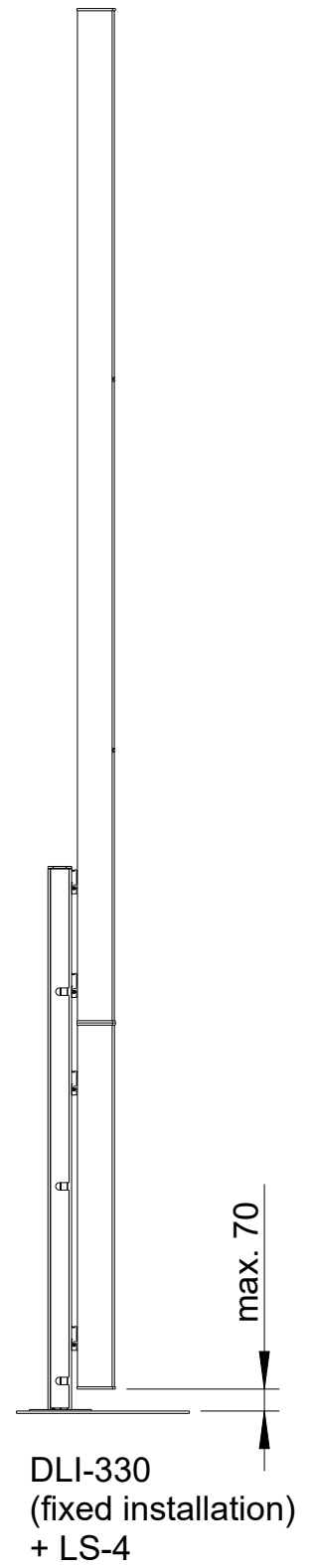
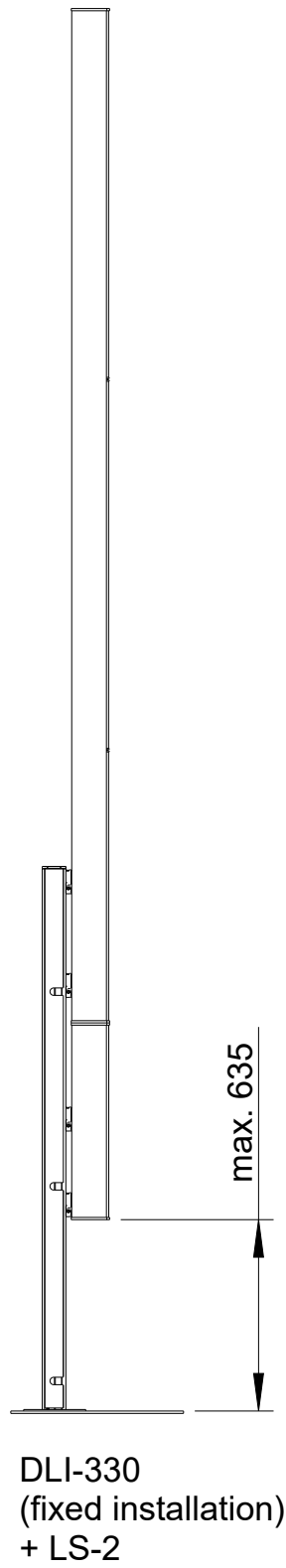
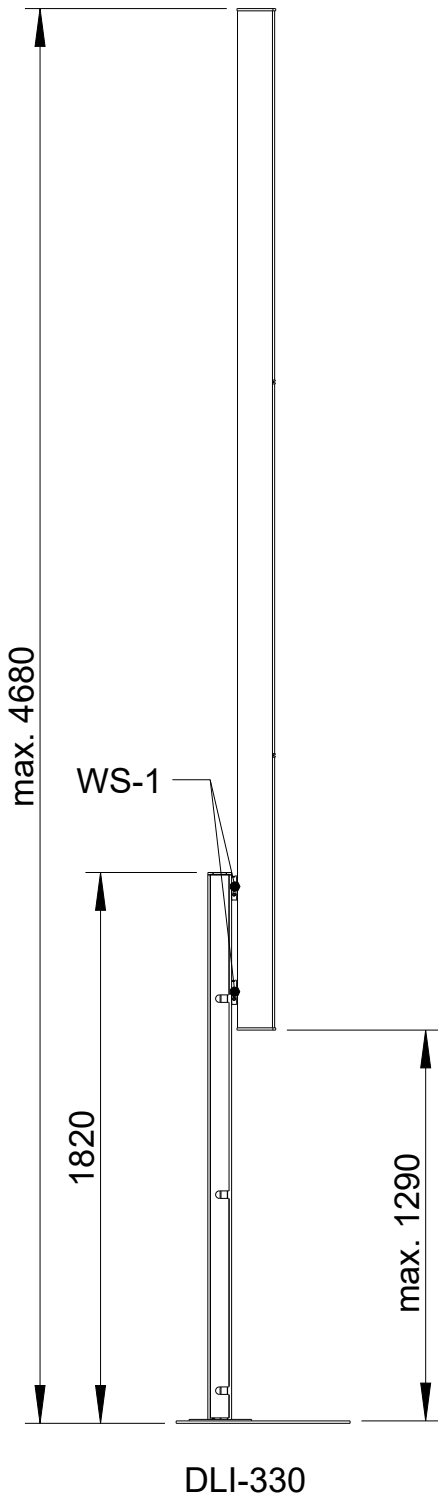
All data and dimensions are subject to change

**Free Stand 180**  
8239-xxxxx



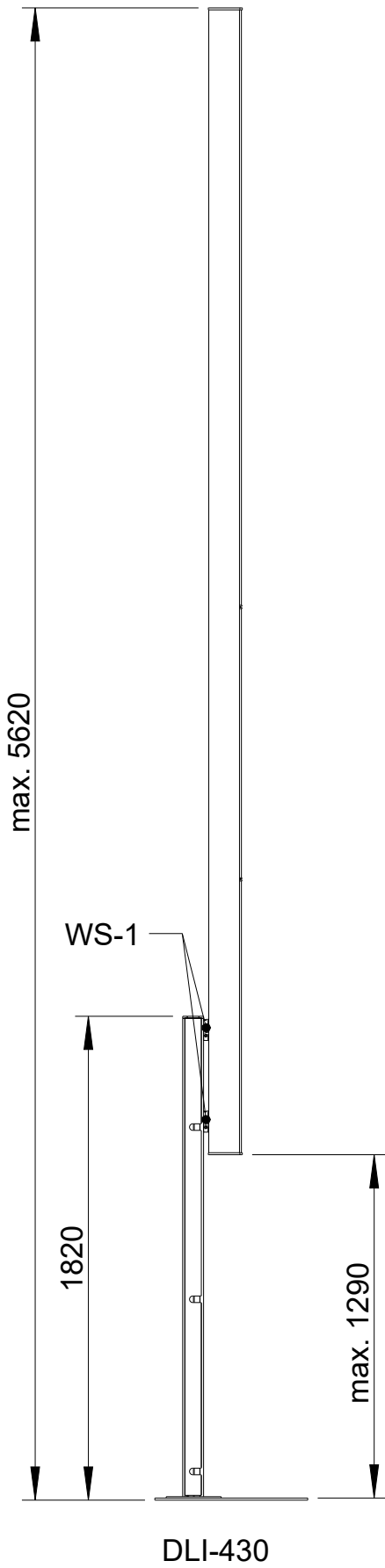
All data and dimensions are subject to change

**Free Stand 180**  
8239-xxxxx

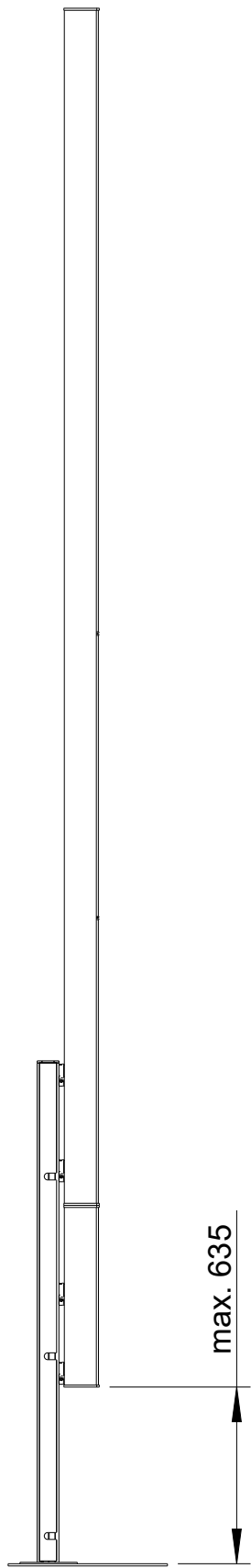


All data and dimensions are subject to change

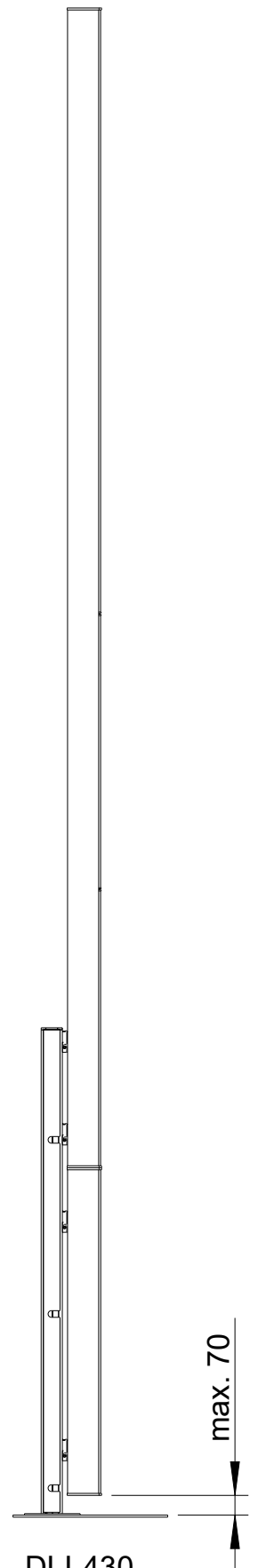
**Free Stand 180**  
8239-xxxxx



DLI-430



DLI-430  
(fixed installation)  
+ LS-2



DLI-430  
(fixed installation)  
+ LS-4

All data and dimensions are subject to change

**Free Stand 180**  
8239-xxxxx

**Fohhn Audio AG**  
**Großer Forst 15**  
**72622 Nuertingen**  
**Germany**

**Phone +49 7022 93323-0**  
**Fax +49 7022 93324-0**  
**[www.fohhn.com](http://www.fohhn.com)**  
**[info@fohhn.com](mailto:info@fohhn.com)**

