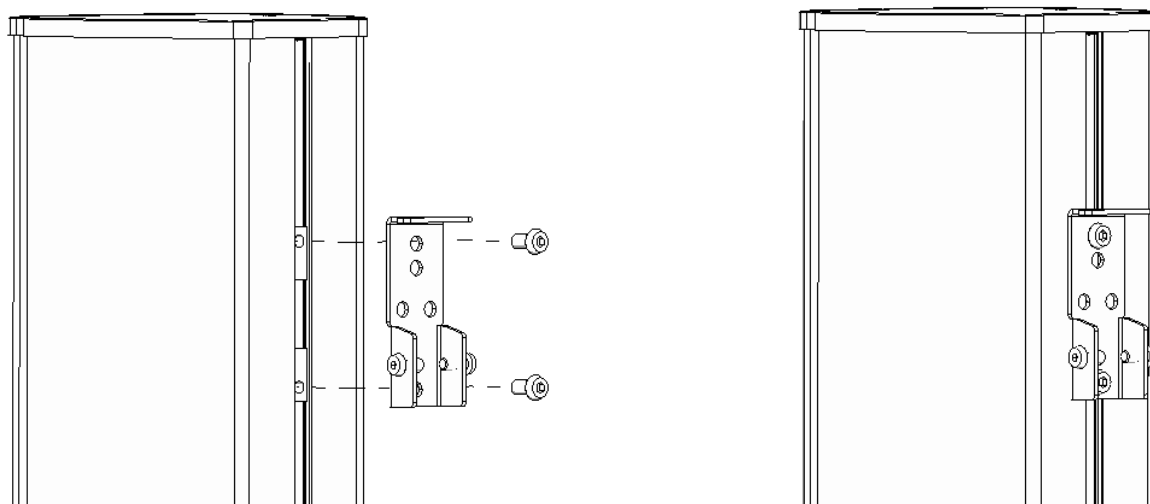


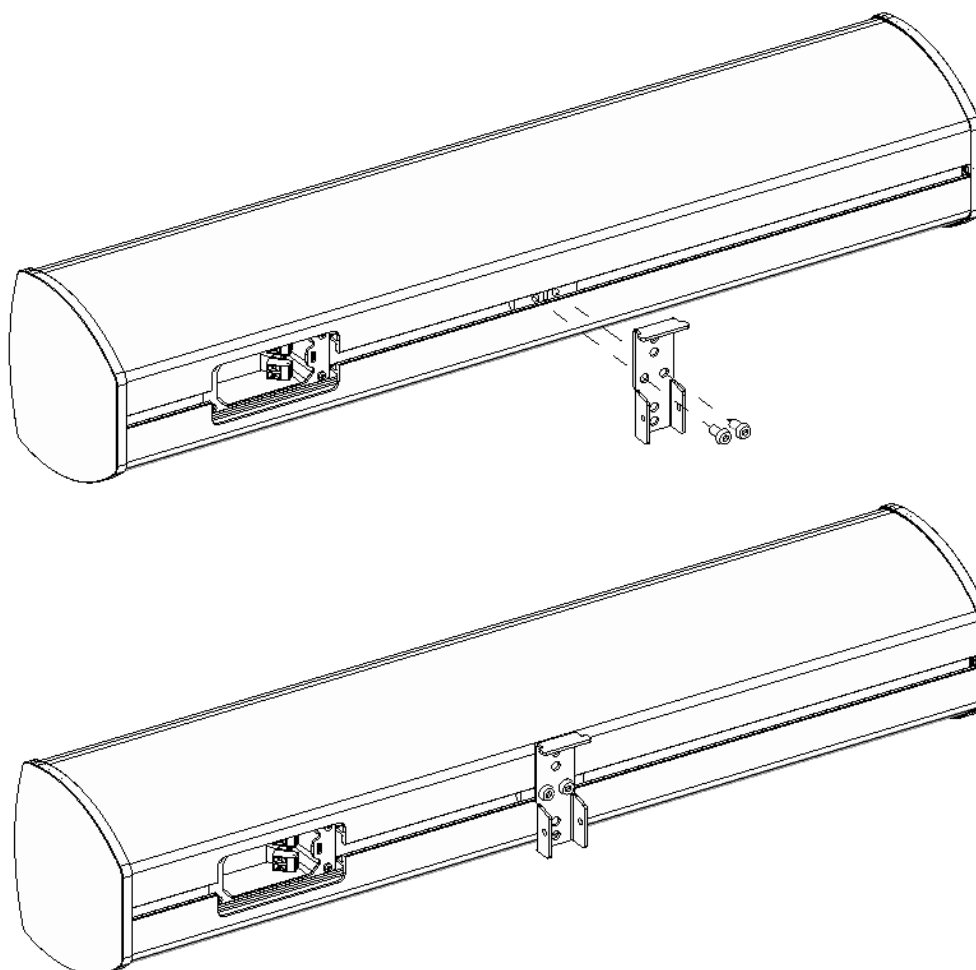
Assembly guide WS-1 (8460-xxxxx)

1. Vertical speaker position



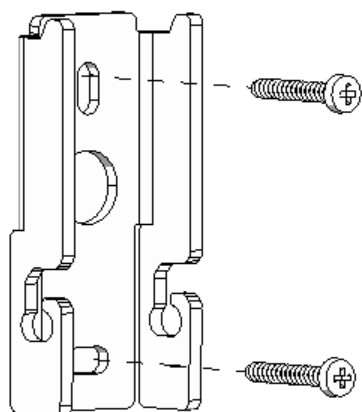
Vertical speaker position: WS-1 housing plate may be positioned anywhere at the length of the cabinet. For speakers longer than 1,3 m it is recommended to use one WS-1 on each end.

(1.) Horizontal speaker position



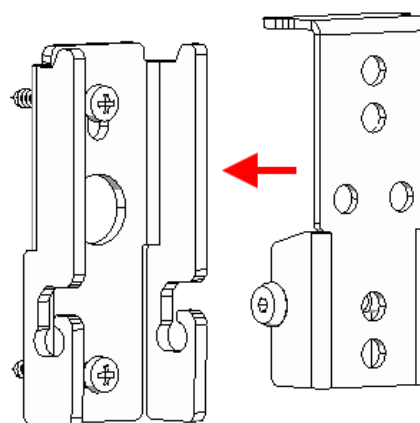
Horizontal speaker position:
WS-1 housing plate has to be positioned at the centre of the cabinet.
For speakers longer than 1,3 m it is recommended to use one WS-1 on each end.

2. Wall plate placement



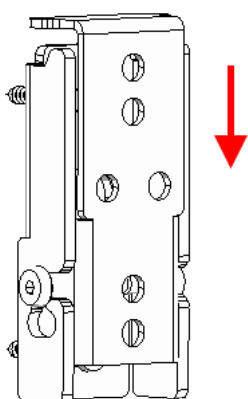
Mount the wall plate to the wall. Make sure all screws and dowels as well as the wall itself are suitable to carry the weight of the speaker. (Screw diameter max. 5 mm)

3. Attaching housing plate



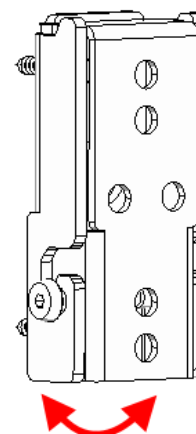
Insert the speaker with its housing plate into the wall plate. (Picture shown without speaker.)

4. Attaching housing plate



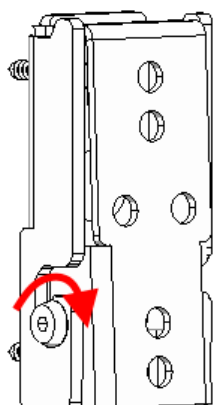
Guide it down until it is hooked in.

5. Alignment



Tilt the speaker as required.

6. Tighten screws



Tighten the screws on both sides.