

## MOUNTING WLX-100 / WLX-221 WALL BRACKETS

1. Remove both oval-head screws M6 (D) at the mounting plate and loosen the screws (C, F, G) by about three turns. Remove the mounting plate from the wall bracket. **SEE FIGURE 1.**
2. Remove the four to six M6 oval-head screws that are located underneath the connector panel. **SEE FIGURE 2.**
3. Fix the loudspeaker to the **WLX-100/WLX-221** mounting plate. Apply medium-strength thread lock fluid to all screws. On both brackets, use four of the locking screws you just removed. Tighten all screws according to the required torque. **SEE FIGURE 3.**
4. Fix the **WLX-100** or **WLX-221** to the building structure using two screws and wall plugs. To do this, you will need to disassemble the mounting bracket from the wall bracket. During installation, don't forget to place the two tooth-lock washers (A) between the mounting bracket and the wall bracket. Make sure that the wall bracket is mounted with the horizontal slot facing upward. **SEE FIGURE 4.**
5. Put the mounting bracket in a roughly vertical position by turning the adjustment spindle (B) to the right.
6. Place the loudspeaker and its mounting plate on the wall bracket. Both sides of the mounting plate must be resting on the screw (C). **SEE FIGURE 5.**
7. At this point the fixing screws (D) can be fitted and tightened with a torque of 8-10 Nm. There are two options here: If the front holes (20) are to be used, this will result in an adjustment angle of 0-20°; if the rear holes (30) are used, this will result in an adjustment angle of 10-30°.
8. Set up the required inclination angle by turning the adjustment spindle (B) to the left. If you need to reduce the angle again, turn the spindle back while pushing the speaker slightly up towards the wall bracket and thus releasing the spindle.
9. Loosen the clamping screws (E) on the horizontal axis and turn the loudspeaker to its required position.
10. Once you are happy with the loudspeaker's angle and rotation, tighten the clamping screws (E) with a torque of 20 Nm. Tighten the screws (C, F, G) with a torque of 8 to 10 Nm.

### Proper Bracket-Speaker combinations:

**WLX-100:** LX-60, LX-61, LX-60 ASX, LEN-60, LEN-100, LEN-150, LC-60, LC-100, LC-150

**WLX-221:** LX-220, LEN-220, LC-220, AT-35, AT-40, AT-50

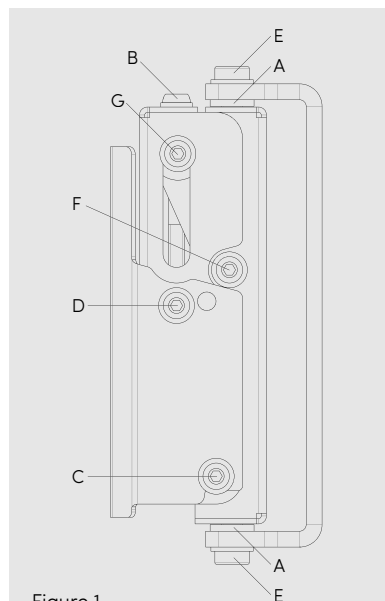


Figure 1

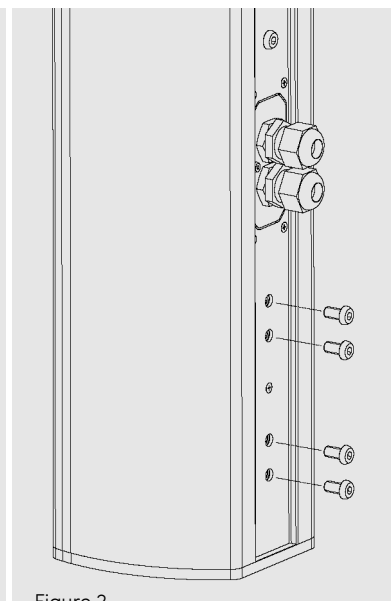


Figure 2

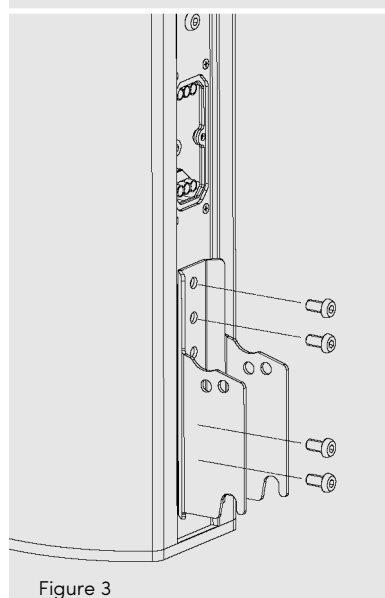


Figure 3

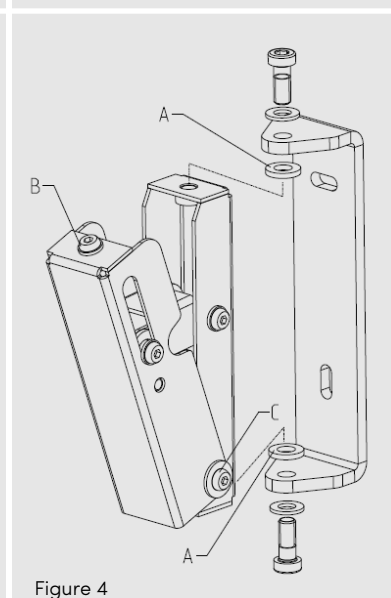


Figure 4

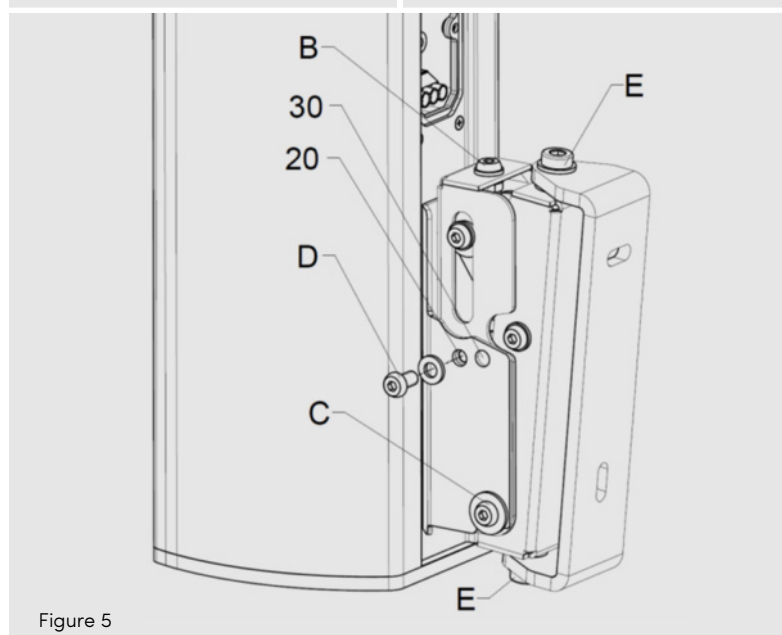


Figure 5