

User manual

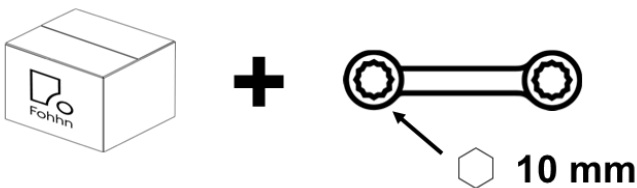
SB-S (8472-xxxxx)

SB-L (8473-xxxxx)

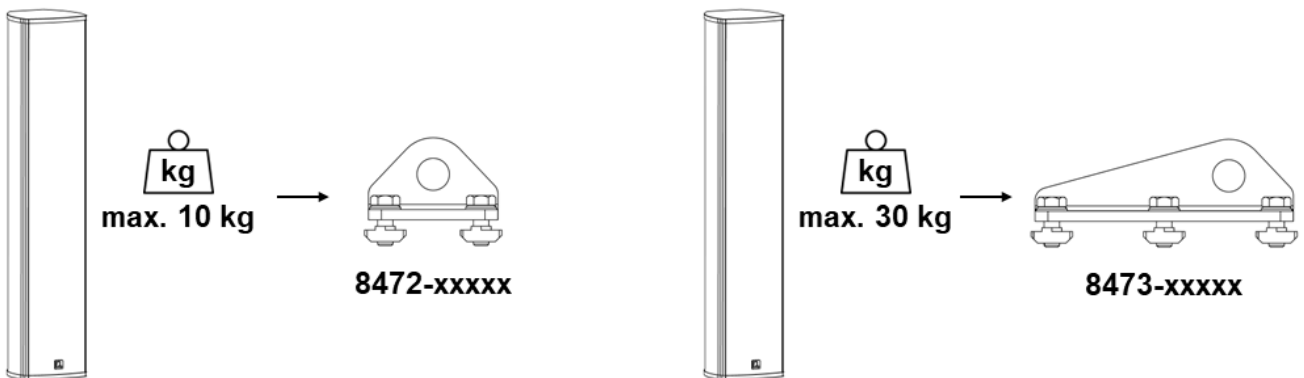


Safety instructions

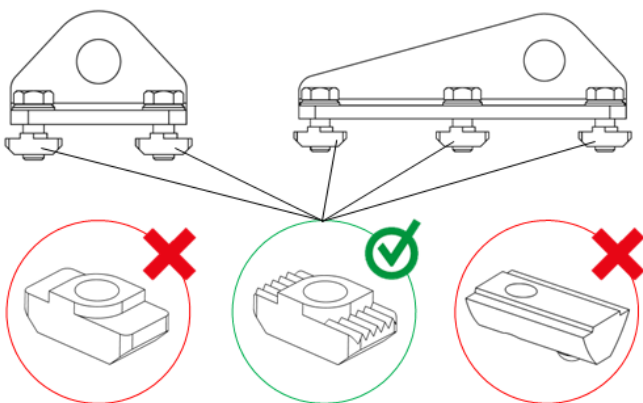
- ⚠ The maximum load capacity of a Safety Bracket SB-S / SB-L must not be exceeded.
- ⚠ Make sure all slot nuts are locked in correctly (see 4.).
- ⚠ Make sure all screws are tightened with the recommended torque (see 6.).
- ⚠ If deformations, cracks, corrosion, or other signs of wear occur the Safety Bracket SB-S / SB-L must be replaced immediately.



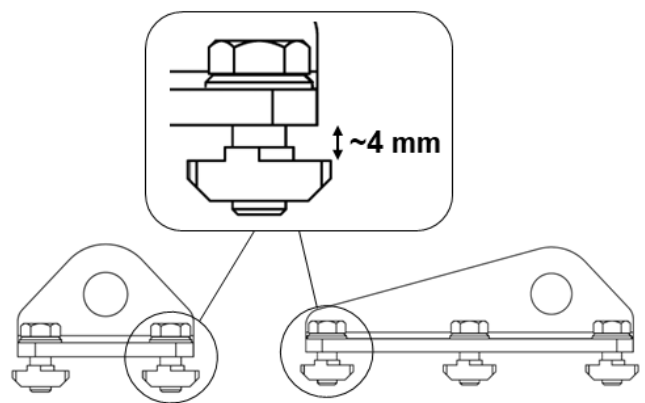
1.



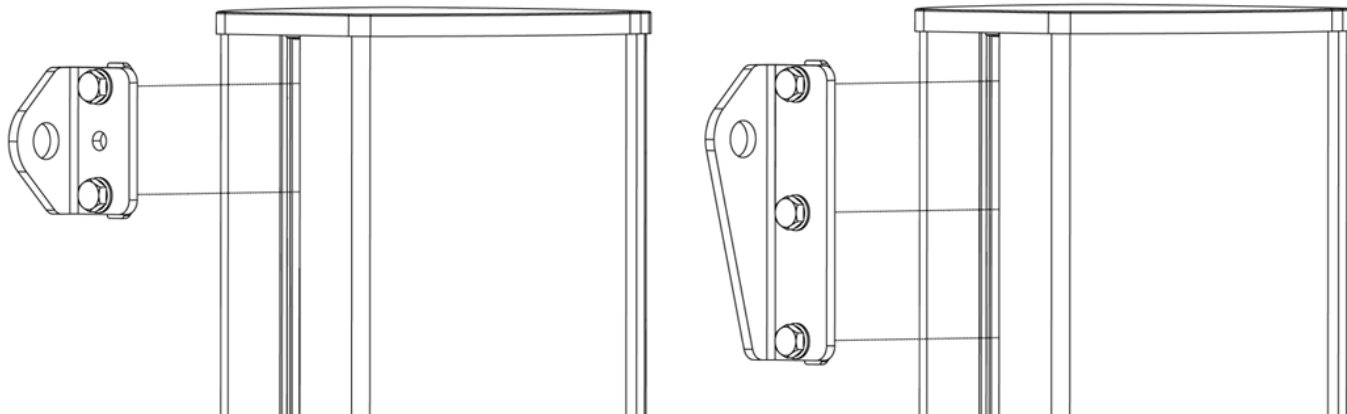
2.



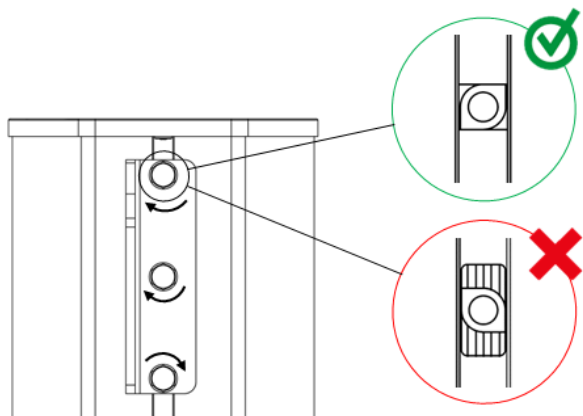
3.



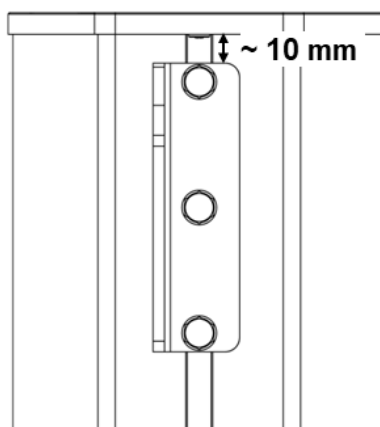
4.



5.



6.



7.

